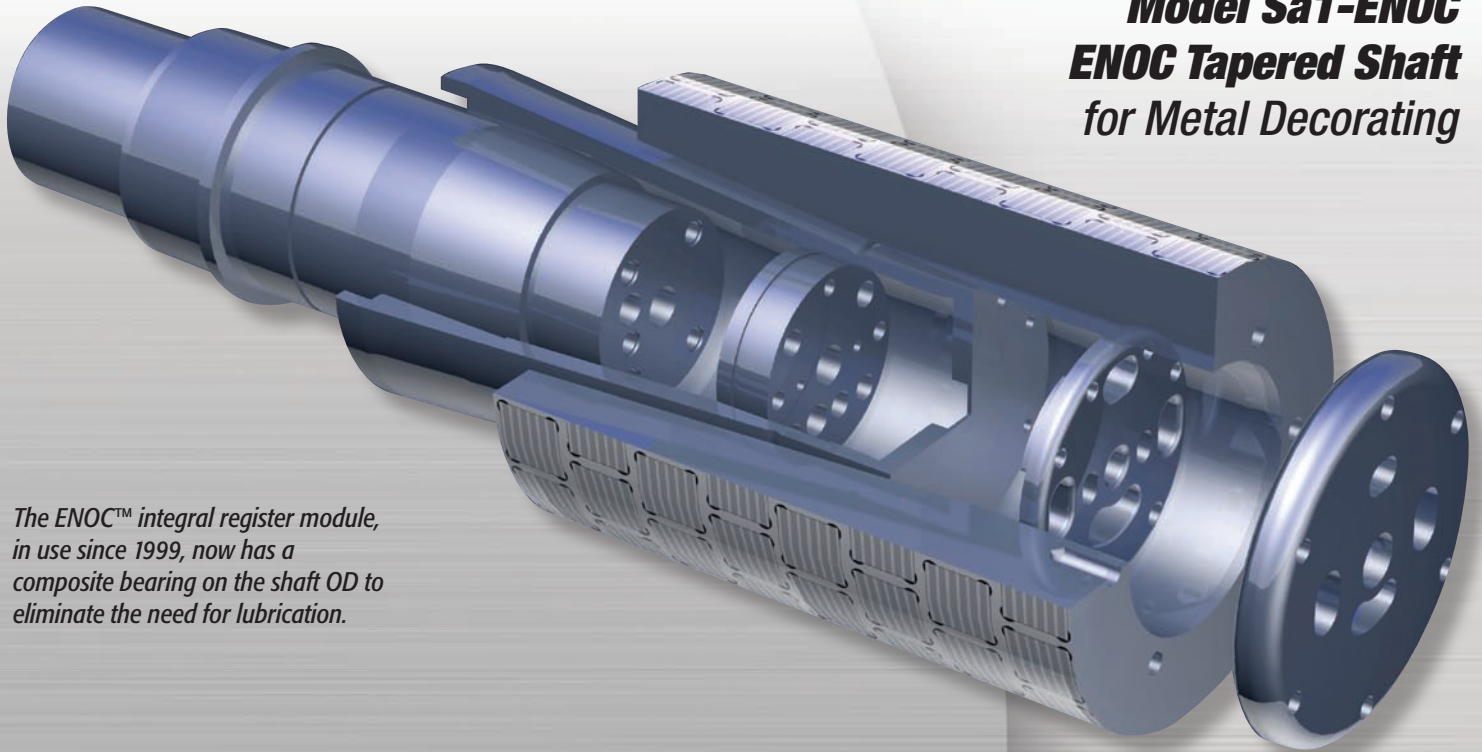


**T.D. WRIGHT, INC.**

## **ENOC Tapered Bore System**

**Model MMC8-ENOC  
MODULAR™ MAGNETIC Cylinder  
Model Sa1-ENOC  
ENOC Tapered Shaft  
for Metal Decorating**



*The ENOC™ integral register module, in use since 1999, now has a composite bearing on the shaft OD to eliminate the need for lubrication.*

**PROVEN Reliability**  
**PROVEN Speed**  
**PROVEN Efficiency**

**ENOC plate cylinder and shaft assemblies print millions of cans every day. They have reclaimed hours of decorator time and performed thousands of efficient label changes. Testimonials and strong repeat business are proof that upgrading to the ENOC system can improve the performance of any Sequa Rutherford decorator.**



**T.D. Wright—  
The Leader in Magnetic Cylinders.**

**[www.magneticcylinders.com](http://www.magneticcylinders.com)  
800-896-1302**

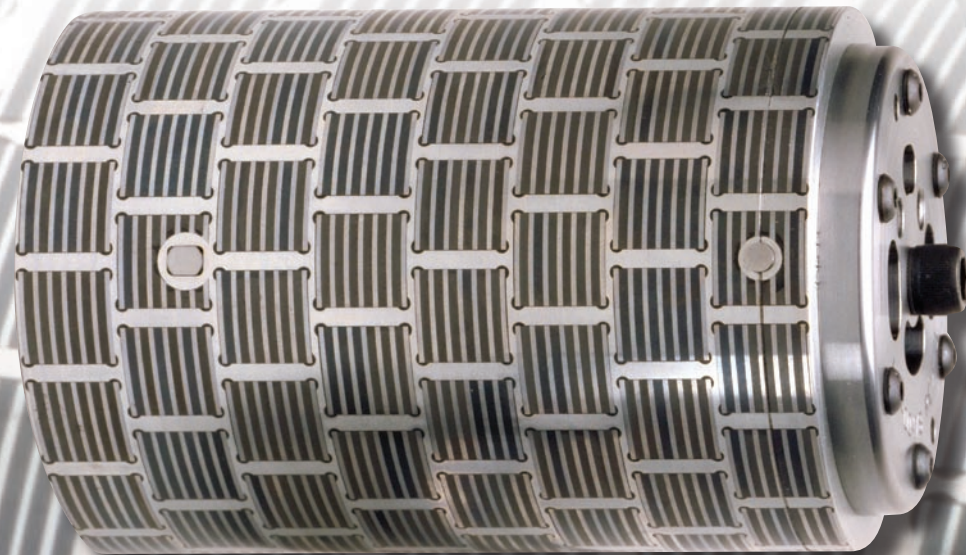
**T.D. WRIGHT, INC.** • 292 Walnut Street • St. Paul, MN USA 55102  
(651) 227-1302 • 800-896-1302 • Fax (651) 227-4465 • [support@tdwinc.com](mailto:support@tdwinc.com) • [www.magneticcylinders.com](http://www.magneticcylinders.com)



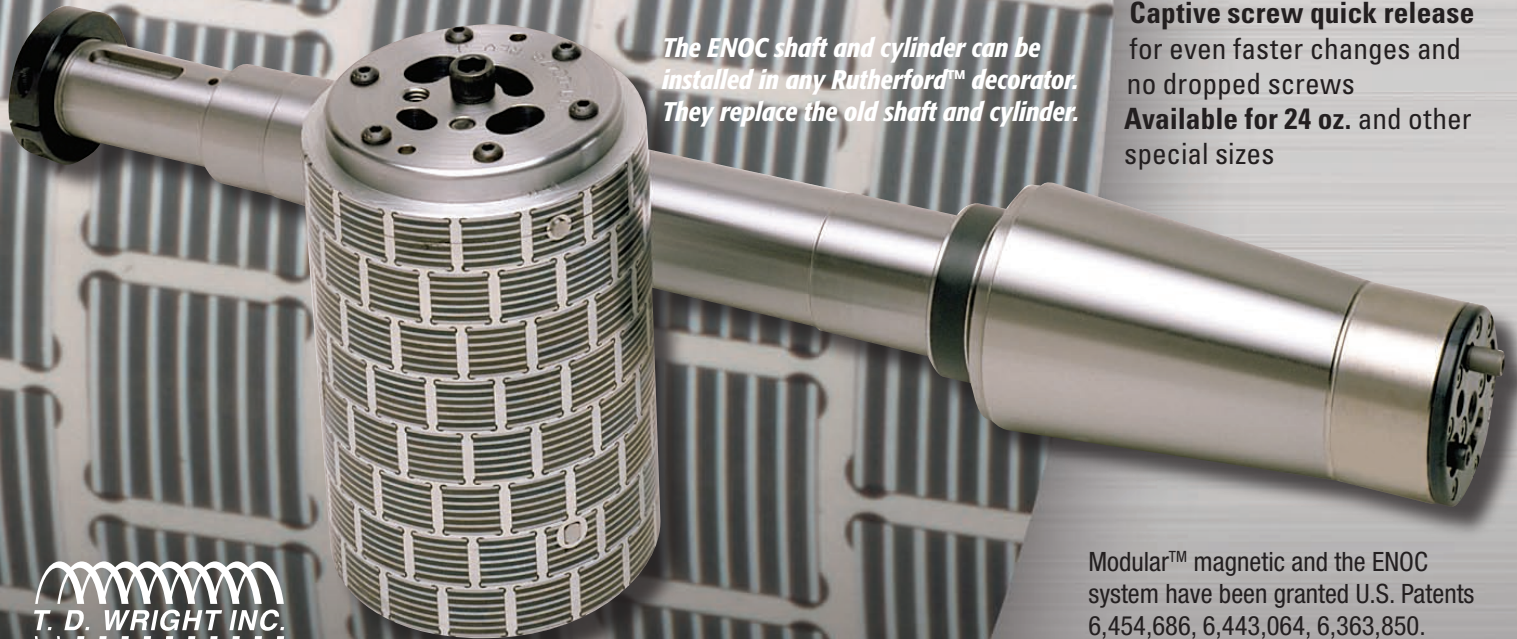
**T.D. WRIGHT, INC.**

## **ENOC Tapered Bore System**

**Model MMC8-ENOC MODULAR™ MAGNETIC Cylinder  
for Metal Decorating**



*TDW's Patented Modular™ magnetic construction eliminates dead bands across the cylinder that can cause plate lifting.*



*The ENOC shaft and cylinder can be installed in any Rutherford™ decorator. They replace the old shaft and cylinder.*

The ENOC System consists of a tapered bore cylinder mated to a hardened steel, tapered shaft/sleeve assembly. The print register controls are built into the shaft, saving cylinder weight and aiding repeatability. The lightweight cylinders slide on and off the shaft easily for savings in label change time and operator injuries.

### **Continuing updates on the ENOC System:**

- Patented Modular™ magnetic surface** eliminates the dead band that causes plate lifting
- Precision locating pin assembly** replaces imprecise keyway
- Increased lateral adjustment capability** allows 50% more adjustment range
- Quick change eccentric cam installation**
- Optional cam profiles** allow super precise circumferential adjustment
- Composite sleeve bearing** eliminates lubrication maintenance
- Heavier duty mount ring** with ink shields keeps cylinder adjustment screws cleaner
- Available fast front end lube station** for the anti-backlash gears
- Captive screw quick release** for even faster changes and no dropped screws
- Available for 24 oz.** and other special sizes



**ENOC. Proven.**

Modular™ magnetic and the ENOC system have been granted U.S. Patents 6,454,686, 6,443,064, 6,363,850.

**www.magneticcylinders.com**  
**800-896-1302**